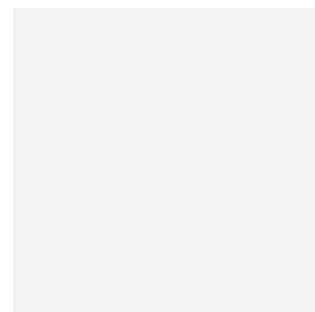
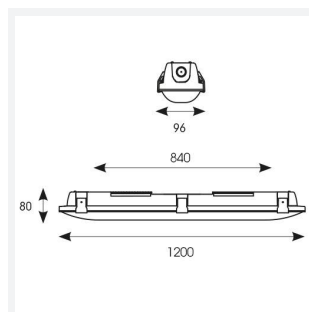


# Tornado EVO

Tornado EVO Multi 1200mm EM ST

Code: ATORE4/1/SM3

<b>Category</b>	Battens and Weatherproofs
<b>Application</b>	Ancillary, Commercial, Education, Healthcare, Hospitality, Industrial, Retail
<b>Specification</b>	Performance



## PRODUCT FEATURES

- IP65 non-corrosive batten suitable for industrial applications and ancillary areas
- CCT selectable between 4000K, 5000K and 6500K and power selectable; offering a choice of 2 outputs, in one luminaire
- LED performance allows point-to-point replacement of existing fluorescent luminaires
- Whole luminaire illuminates during emergency operation rather than a small area, allowing less emergency versions required on an installation
- High efficiency up to 160 Lm/W
- Slim sloped diffuser design creates sleek appearance and offers greater light distribution
- Lockable heavy-duty stainless steel clips supplied as standard for added safety and security

### GENERAL INFORMATION

Wattage	20W/40W
Lumens Delivered	3100lm - 6200lm (4000K)
Lm/W	160lm/W (4000K)
Beam Angle	120
CRI	80
CCT	4000/5000/6500K
Input	220/240V
Operating Temp	0°C - 40°C
SDCM	6
Energy efficiency class	D

### TECHNICAL INFORMATION

Light Source	LED
Colour / Finish	Grey
IP Rating	IP65
Class Protection	1
Internal / External	Internal / External
Surface / Recessed / Suspended	Surface, Suspended
Lumen Depreciation L70 B50	L70 B50 54,000h
Warranty (Years)	5
CE Mark	Yes
Height	80 mm

