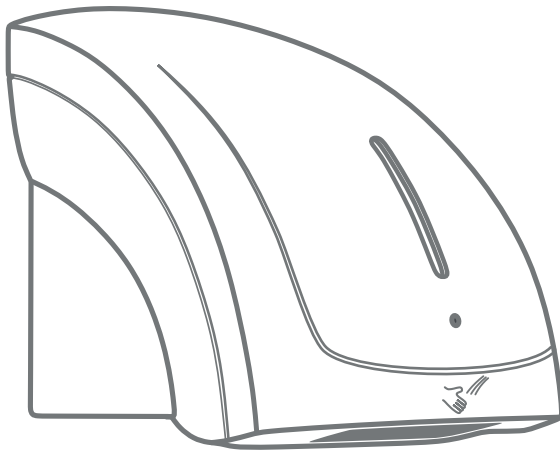




INSTRUCTION MANUAL

Tetra Hand Dryer



Covers
TH18W
TH18B
TH18S

Introduction

Models covered by this instruction sheet:-

Part No. TH18W, TH18B & TH18S Tetra Hand Dryers.



IMPORTANT Read these instructions fully before using the appliance.
Retain these instructions for future reference.

NOTE The appliance may only be used in a fixed position and only for the purpose described. It is not for outdoor use!

SAFETY INSTRUCTIONS

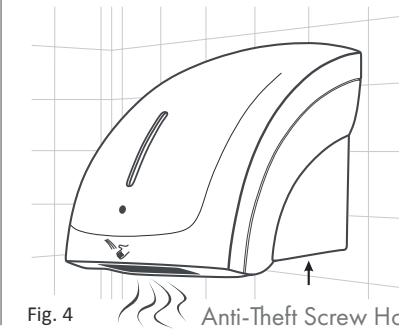
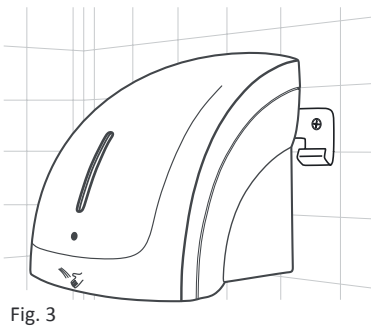
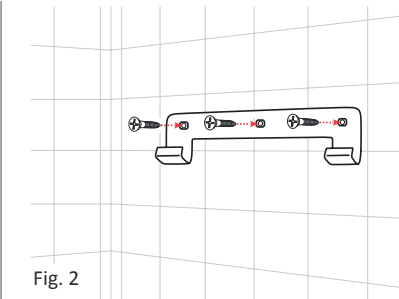
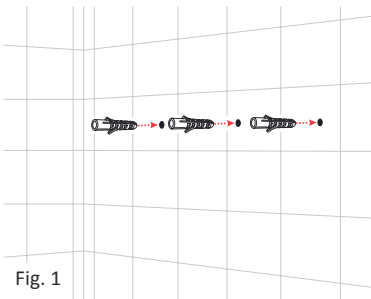
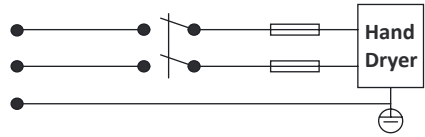
Please read these instructions before operating the appliance.

Failure to follow safety instruction may lead to damage to goods, serious injury or death.

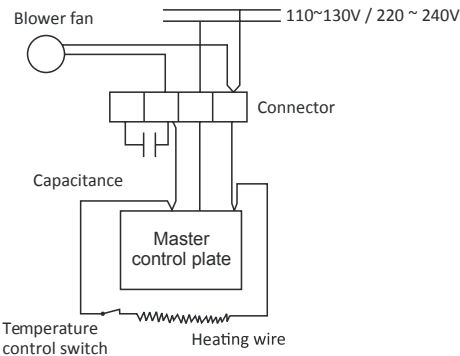
- This product is a wall mounting appliance, never use it as portable appliance.
- This appliance is designed for wall mounting and must be used with the warm air vent facing downwards. This appliance should not be used in any other orientation and should not be used as a free standing portable appliance.
- This appliance is suitable for installation on surfaces with normal flammability e.g. wood, plasterboard, masonry. It is not suitable for use on highly flammable surfaces (e.g. polystyrene, textiles).
- Before making fixing hole(s), check that there are no obstruction hidden beneath the mounting surface such as pipes or cables.
- The chosen location of your new appliance should allow for the product to be securely mounted (e.g. to a firm wall) and safely connected to mains supply.
- Do not position the appliance immediately above a wall socket.
- Do not modify this product. Modification may lead to fire or electric shock.
- Do not use the appliance in areas where flammable liquids are stored or where flammable fumes may be present.
- Electrical installation must be carried out by a qualified professional in accordance with the latest edition of the IEE wiring regulations.
- If the supply cord is damaged, it must be replaced by a qualified professional in order to avoid a hazard.
- Return to a qualified electrical professional for examination, electrical or mechanical adjustment, service or repair.

Installation

A 2-pole switch with contact gap >3mm must be installed before connection to a power source. Grounding wire must be connected to the unit.



Wiring

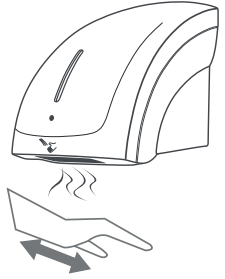


Suggested Mounting Height
from the floor to the air outlet

Male	Female/Mixed Use
1200mm	1100mm

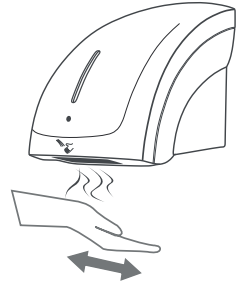
Operation Of The Appliance

- Place hands under the air vent at bottom of unit. Unit will automatically start.
- The LED light indicates the product is working;
- The unit will dispense warm air for approx. 1 minute before cut out. Remove and replace hands under unit to restart.
- The unit will automatically stop 3 seconds after hands have been removed.



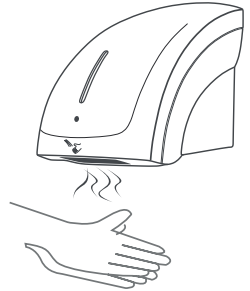
Please Note:

- If sensors detect the presence of a foreign body, in or around the unit, it will not start. Remove before next use.
- Stains on the sensor surface may result in malfunction, ensure all sensor are kept clean.
- When used in cold conditions, unit may initially vent cool air.



Overheat Protection

The heater has overheat protection that switches the unit off automatically in case of overheating e.g. due to partial or total obstruction of the grill. In this case, unplug the appliance and wait for 30 minutes for it to cool. Remove any obstructions. Reconnect to the power.



Cleaning The Appliance

1. Always isolate the appliance from the power supply and allow it to cool down before cleaning.
2. Clean the outside of the appliance by wiping with a damp cloth and buff with a dry cloth. Do not use any detergents or abrasives and do not allow any water to enter the appliance.

Identification & Treatment of Common Faults

Please check the failure as shown in the table below. If the problem is still unresolved, contact our customer service team who will assist you. The products serial number and proof of purchase must be provided.

Fault	Cause	Remedy
Unit does not dispense air	Power supply is off	Turn on power supply
Unit does not start hands are placed under vent or does not stop when removed	The sensor is stained	Clean the sensor
	foreign object in the sensing range of the sensor	Remove the foreign object
	Distance between the hand & the sensor is too far	Move hands closer to the sensor
No warm air	Heat switch is set to off	Turn on heat switch

Product Specification

Rated Voltage (V)	Rated Frequency (Hz)	Rated Power (W)	Rated Current (A)
220	50-60	1800	7

Storing The Appliance

When the appliance is not used for long periods of time it should be protected from dust and stored in a clean dry place.

Warranty

1. This product is guaranteed for a period of 12 months from the date of purchase against faulty components and manufacturing defects.
2. This warranty does not cover wear and tear, or misuse and abuse. Transportation, freight cost and labour costs are excluded.
3. Before taking any action in the event of a fault, contact our customer service team who will assist you. The products serial number and proof of purchase must be provided.

In the event of a faulty product, deXpro will replace faulty parts or at its sole discretion replace the product.

INFORMATION FOR CORRECT DISPOSAL OF THE PRODUCT IN ACCORDANCE WITH THE EUROPEAN DIRECTIVE 2002/96/E.



At the end of its working life this equipment must not be disposed of as household waste. It must be taken to a local authority waste collection centre or to a dealer providing this service. Disposing of electrical and electronic equipment separately enables its components to be recovered and recycled to obtain significant savings in energy and resources. In order to underline the duty to dispose of this equipment separately, the product is marked with a crossed out dustbin.

